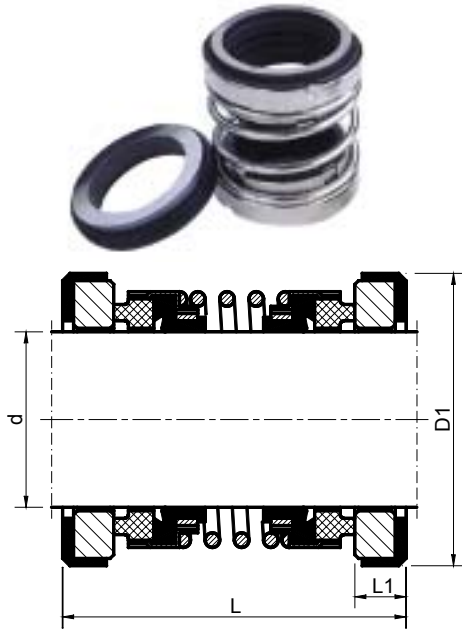


YT 472

ELASTOMER BELLOWS DOUBLE SEAL



Operating limits

- $d_1 = 20 - 60$ mm
- $p_1 = 0.4$ MPa
- $t = -20 - 140$ °C
- $v_g = 10$ m/s

Materials

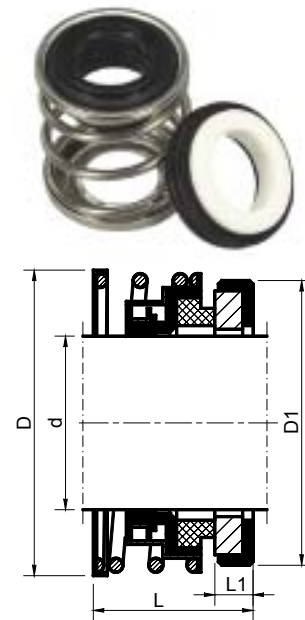
- Seal faces: carbon graphite (resin-impreg.), silicon carbide, tungsten carbide
- Stationary seats: alumina ceramic, Ni-resist, silicon carbide, tungsten carbide
- Bellows: Neoprene, NBR, EPDM
- Springs, other metal components: AISI 304, 316, 316Ti
- Secondary seals: Neoprene, NBR, EPDM

d	D1	L	L1
20	35	46.8	8.0
25	40	52.3	8.0
28	43	52.3	8.0
30	45	54.3	9.0
32	48	64.3	9.0
35	50	64.3	9.0
40	58	64.3	9.0
45	63	71.3	9.5
50	70	71.3	9.5
55	75	75.3	9.5
60	80	77.3	9.5

Dimensions in mm.

YT 470

ELASTOMER BELLOWS SINGLE SEAL



Operating limits

- $d_1 = 15 - 40$ mm
- $p_1 = 0.6$ MPa
- $t = -20 - 140$ °C
- $v_g = 6$ m/s

Materials

- Seal faces: carbon graphite (resin-impreg.), silicon carbide, tungsten carbide
- Stationary seats: alumina ceramic, silicon carbide, tungsten carbide
- Bellows: Neoprene, NBR, EPDM
- Springs, other metal components: AISI 304, 316, 316Ti
- Secondary seals: Neoprene, NBR, EPDM

d	D	D1	L	L1
15	32.0	30	32	8.0
16	32.0	30	32	8.0
20	37.0	35	20	5.0
25	44.2	40	22	5.5
30	48.6	45	24	6.0
35	54.0	50	26	6.5
40	60.4	58	28	7.5

Dimensions in mm.